

1

2

3

4

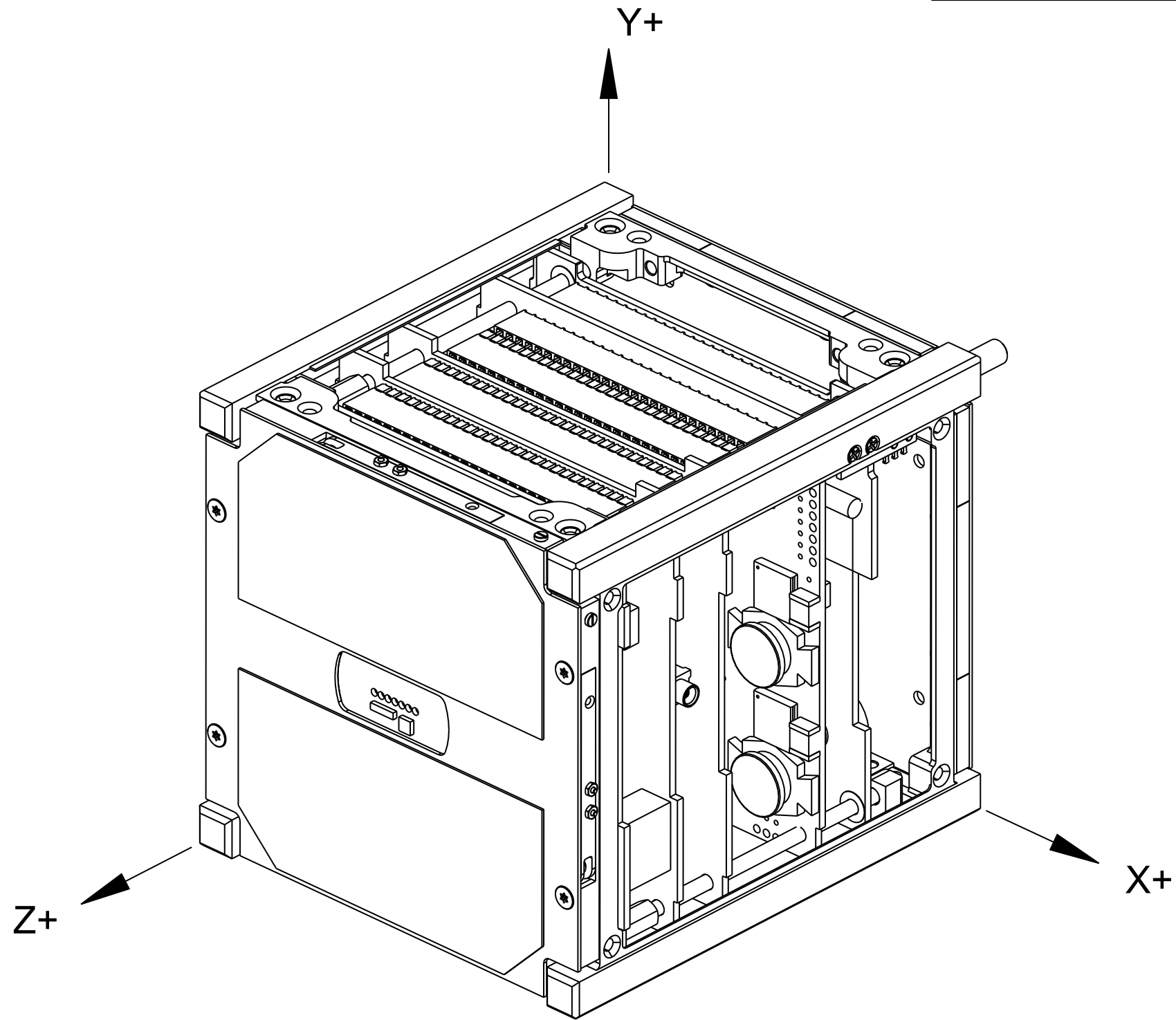
5

6

7

8

Rev	Description	Date	Initials
A	First Release	22 Feb 2011	DB
-	-	-	-
D	Modification to Spacer Distance	13 Feb 2013	DB



Project name	FunCube
Drawing name	FunCube Stack Layout
Drawing number	ISIS.FUN.0.1.001

Scale	1:1	By	DB	Date	13 Feb 2013
Size	A3	Drawn	DB	Date	13 Feb 2013
Rev	D	Checked	WW	Date	13 Feb 2013
Sheets	1/3	Approved	AB	Date	13 Feb 2013

Material	N/A
Surface treatment	N/A
All surfaces to be	N/A ✓ (Unless specified otherwise)
Dimensions	[mm]
Tolerance	±0.1 [mm] (Unless specified otherwise)

Notes:
Remove sharp edges (kanten gebroken)

1

2

3

4

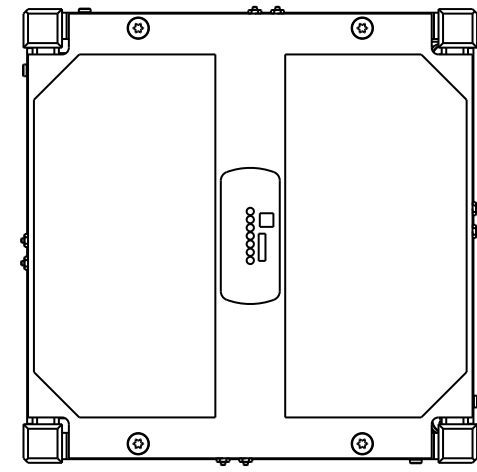
5

6

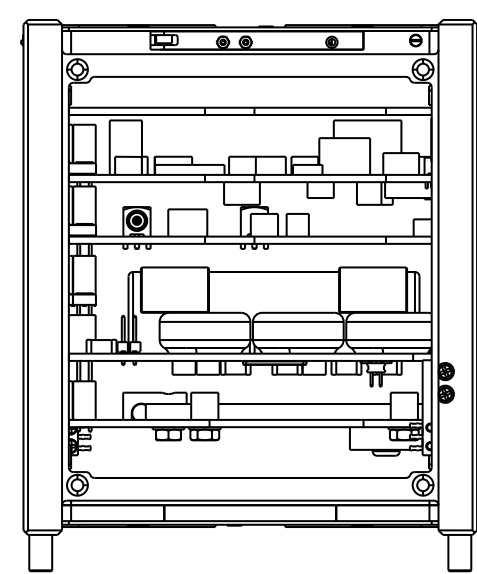
7

8

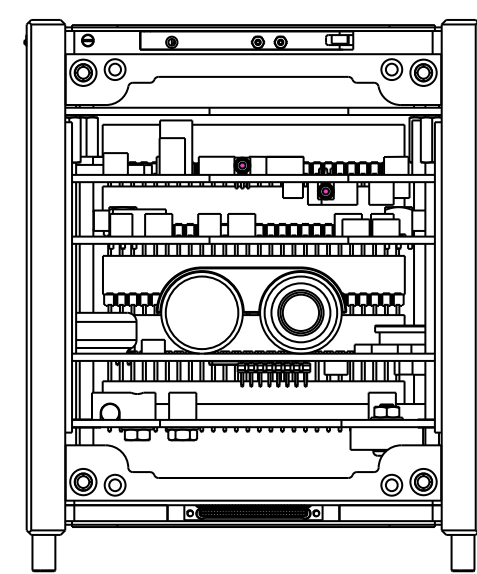
Rev	Description	Date	Initials
A	First Release	22 Feb 2011	DB
-	-	-	-
D	Modification to Spacer Distance	13 Feb 2013	DB



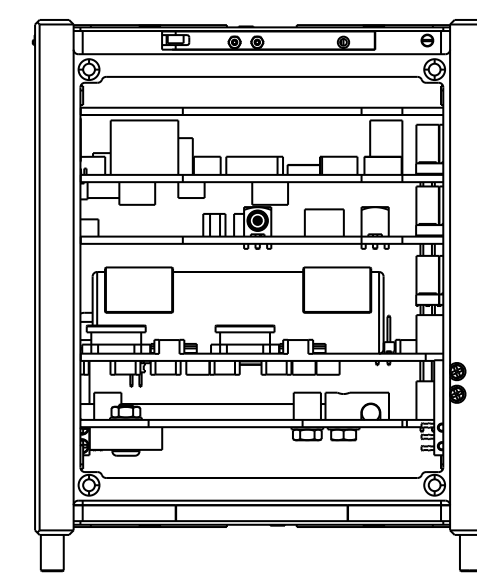
Z+ Side



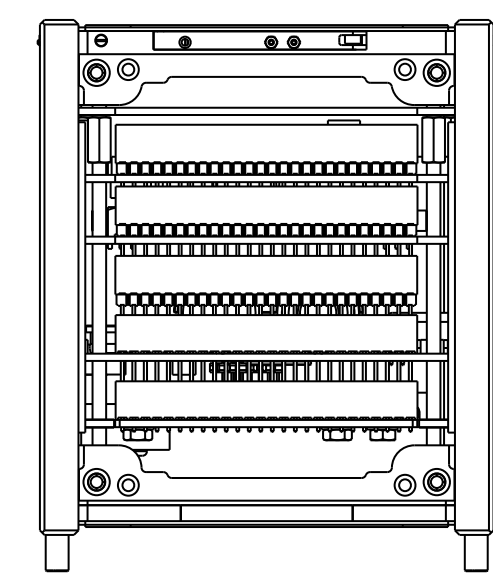
X- Side



Y- Side



X+ Side



Y+ Side



Project name	FunCube
Drawing name	FunCube Stack Layout
Drawing number	ISIS.FUN.0.1.001

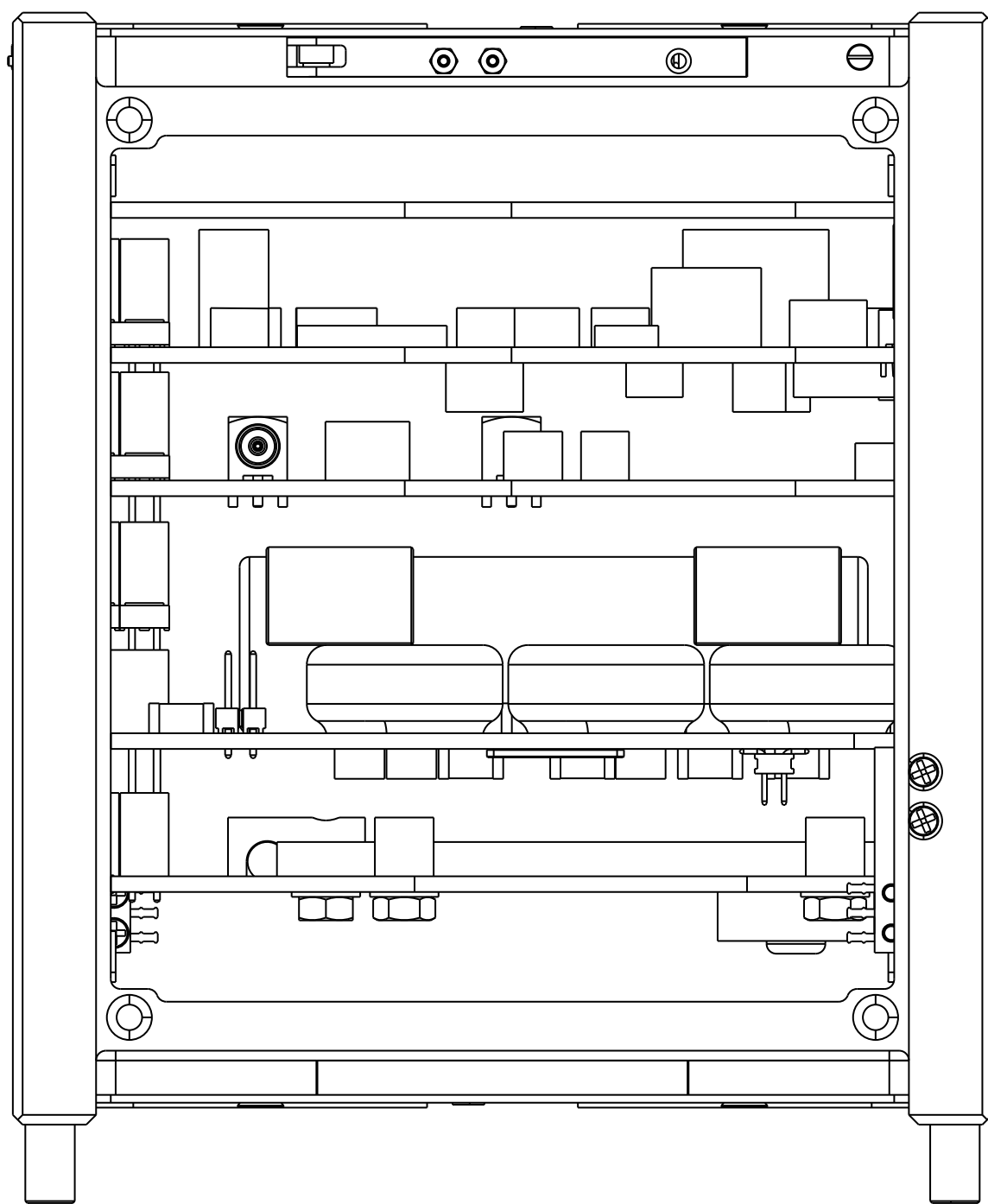
Scale	3:5	By	DB	Date	13 Feb 2013
Size	A3	Drawn	DB	Date	13 Feb 2013
Rev	D	Checked	WW	Date	13 Feb 2013
Sheets	2/3	Approved	AB	Date	13 Feb 2013

Material	N/A
Surface treatment	N/A
All surfaces to be	N/A ✓ (Unless specified otherwise)
Dimensions	[mm]
Tolerance	±0.1 [mm] (Unless specified otherwise)

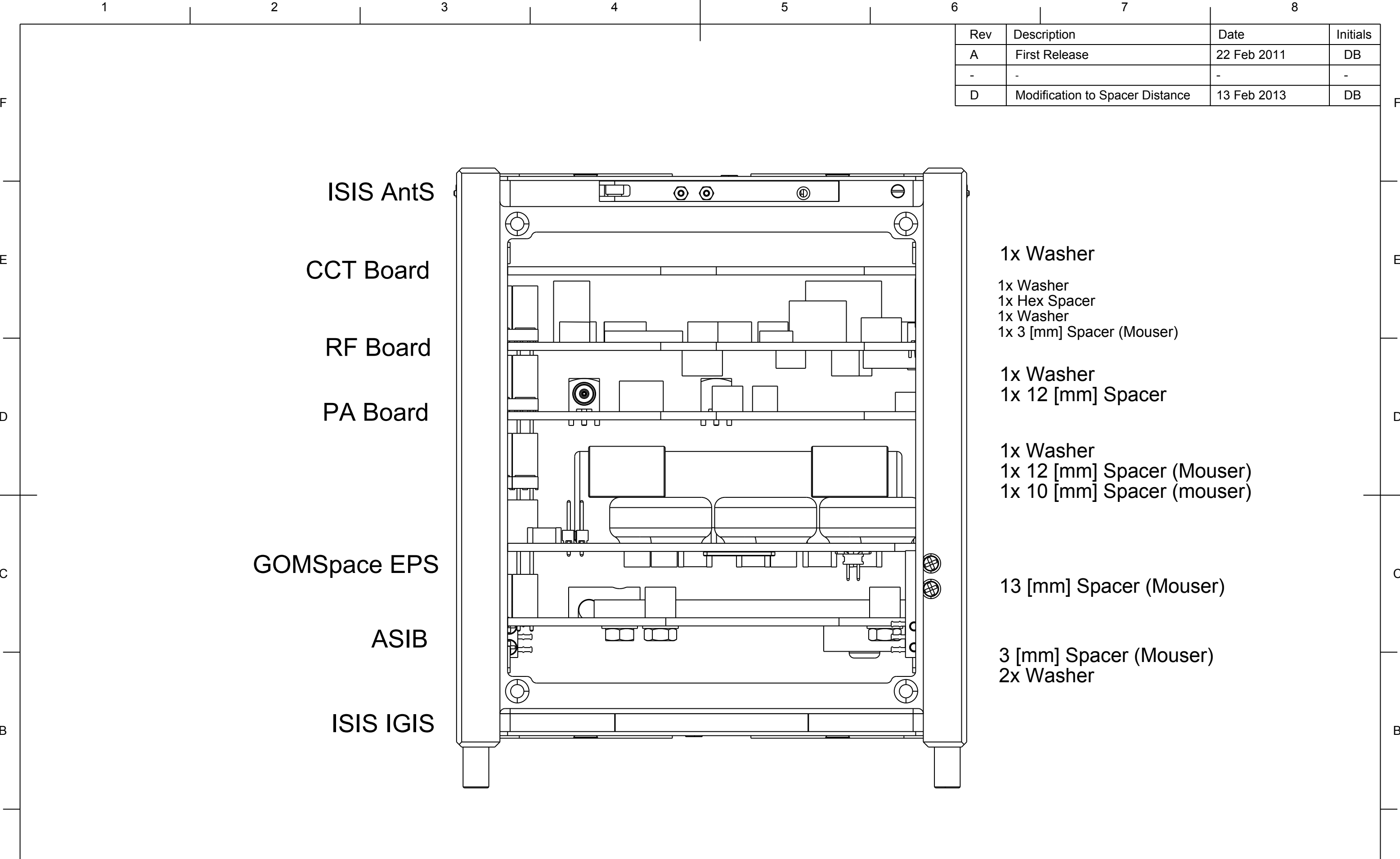
Notes:
Remove sharp edges (kanten gebroken)

Rev	Description	Date	Initials
A	First Release	22 Feb 2011	DB
-	-	-	-
D	Modification to Spacer Distance	13 Feb 2013	DB

ISIS AntS
CCT Board
RF Board
PA Board
GOMSpace EPS
ASIB
ISIS IGIS



- 1x Washer
- 1x Washer
- 1x Hex Spacer
- 1x Washer
- 1x 3 [mm] Spacer (Mouser)
- 1x Washer
- 1x 12 [mm] Spacer
- 1x Washer
- 1x 12 [mm] Spacer (Mouser)
- 1x 10 [mm] Spacer (mouser)
- 13 [mm] Spacer (Mouser)
- 3 [mm] Spacer (Mouser)
- 2x Washer



Project name	FunCube	Scale	3:2	By	DB	Date	13 Feb 2013	Material	N/A
Drawing name	FunCube Stack Layout	Size	A3	Drawn	DB	13 Feb 2013		Surface treatment	N/A
Drawing number	ISIS.FUN.0.1.001	Rev	D	Checked	WW	13 Feb 2013		All surfaces to be	N/A ✓ (Unless specified otherwise)
		Sheets	3/3	Approved	AB	13 Feb 2013		Dimensions	[mm]
								Tolerance	±0.1 [mm] (Unless specified otherwise)

Notes:
Remove sharp edges (kanten gebroken)